

# GROVE<sup>®</sup>

# GMK6350

## product guide

### features

- 51-197 ft. (15.5-60m) 5-section full power MEGAFORM™ boom
- 36-62 ft. (11-19m) telescoping offsettable swingaway extension
- 69-200 ft. (21-61m) luffing jib
- MEGALIFT™ main boom attachment
- 220,400 lb. (100 Tonnes) counterweight with hydraulic removal system
- MEGATRAK™ suspension

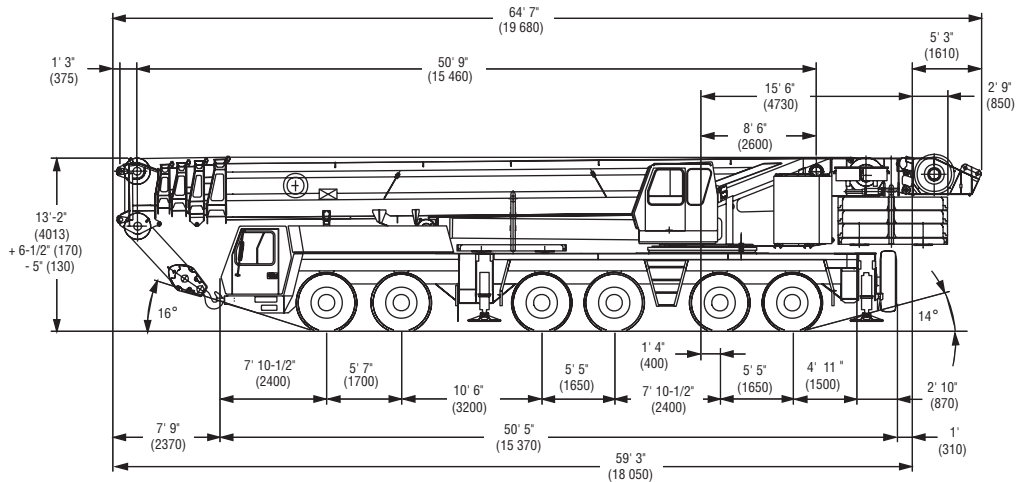
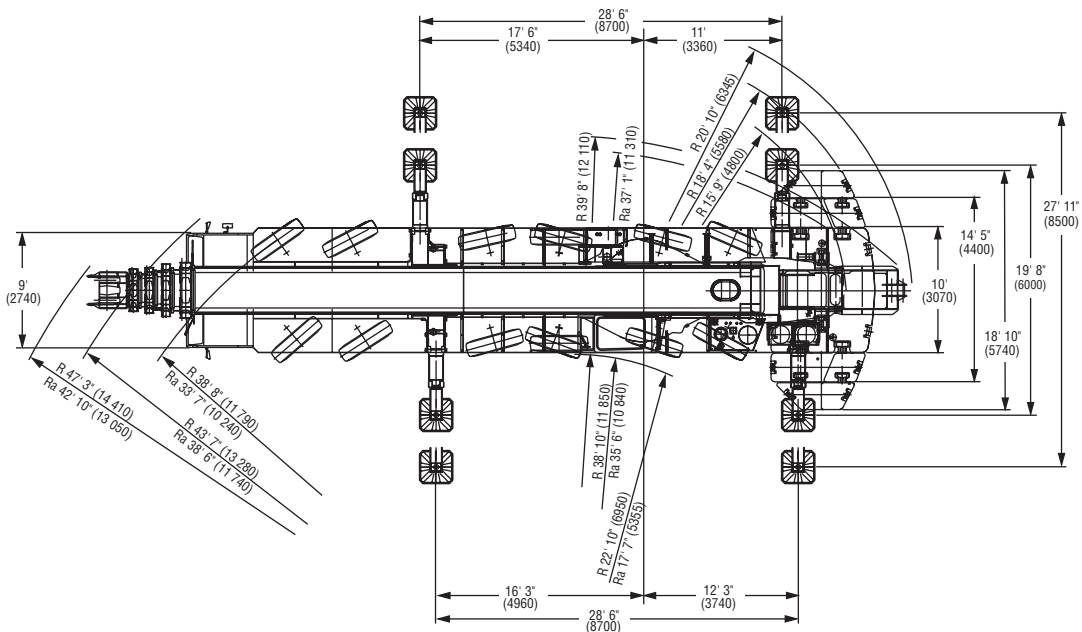


### contents

Features	2
Specifications	3
Dimensions	5
Counterweight	6
Travel Proposal	7
Working Range	8
Main Boom and Swingaway Charts	9
Working Range MEGALIFT	11
MEGALIFT charts	12
Working Range w/inserts	13
Swingaway Charts w/one or two inserts	14
Working Range Luffing	15
Luffing Charts	16
Overview	22

# dimensions

5



Note: ( ) Reference dimensions in mm

BASIC WEIGHTS (LBS.)	Axles 1 & 2	Axles 3 - 6	Total
Mercedes Power, 12x6, 20.5 R25 Tires,			
2nd Hydraulic Oil Cooler, Brackets for swingaway	50,781	107,969	158,750
<b>Additions:</b>			
12 x 8 x 12 in lieu	965	-(105)	860
Outrigger Pads	-	772	772
Removable rear outrigger box option	-(1,225)	3,430	2,205
Auxiliary Hoist	-(5,365)	11,450	6,085
Swingaway	6,860	-(1,525)	5,335
Spare Wheel 20.5 with stowage	-(590)	1,400	810
Spare Wheel 16.00 with stowage	-(520)	1,240	720
Spare Wheel 14.00 with stowage	-(425)	1,010	585
Fixed MEGALIFT brackets w/o winch	653 lbs.	-123 lbs.	530 lbs.
Fixed bracket for MEGALIFT winch	119 lbs.	212 lbs.	331 lbs.
Bolted parts for MEGALIFT	119 lbs.	212 lbs.	331 lbs.
MEGALIFT winch	6,257 lbs.	5,736 lbs.	11,993 lbs.
<b>Removal:</b>			
Front Outrigger Beams & Jacks	-(3,380)	-(1,980)	-(5,360)
Rear Outrigger Beams & Jacks	3,730	-(9,650)	-(5,920)
Outrigger Box (must add weight above for option)	6,750	-(17,550)	-(10,800)
Boom Assembly (minus lift cylinder)	-(34,750)	-(23,175)	-(57,925)
Telescope Sections 1-4	-(27,900)	-(15,860)	-(43,760)
Lift Cylinder	-(2,250)	-(3,400)	-(5,650)
16.00 R25 Tires in lieu	-(370)	-(740)	-(1,110)
14.00 R25 Tires in lieu	-(900)	-(1,800)	-(2,700)

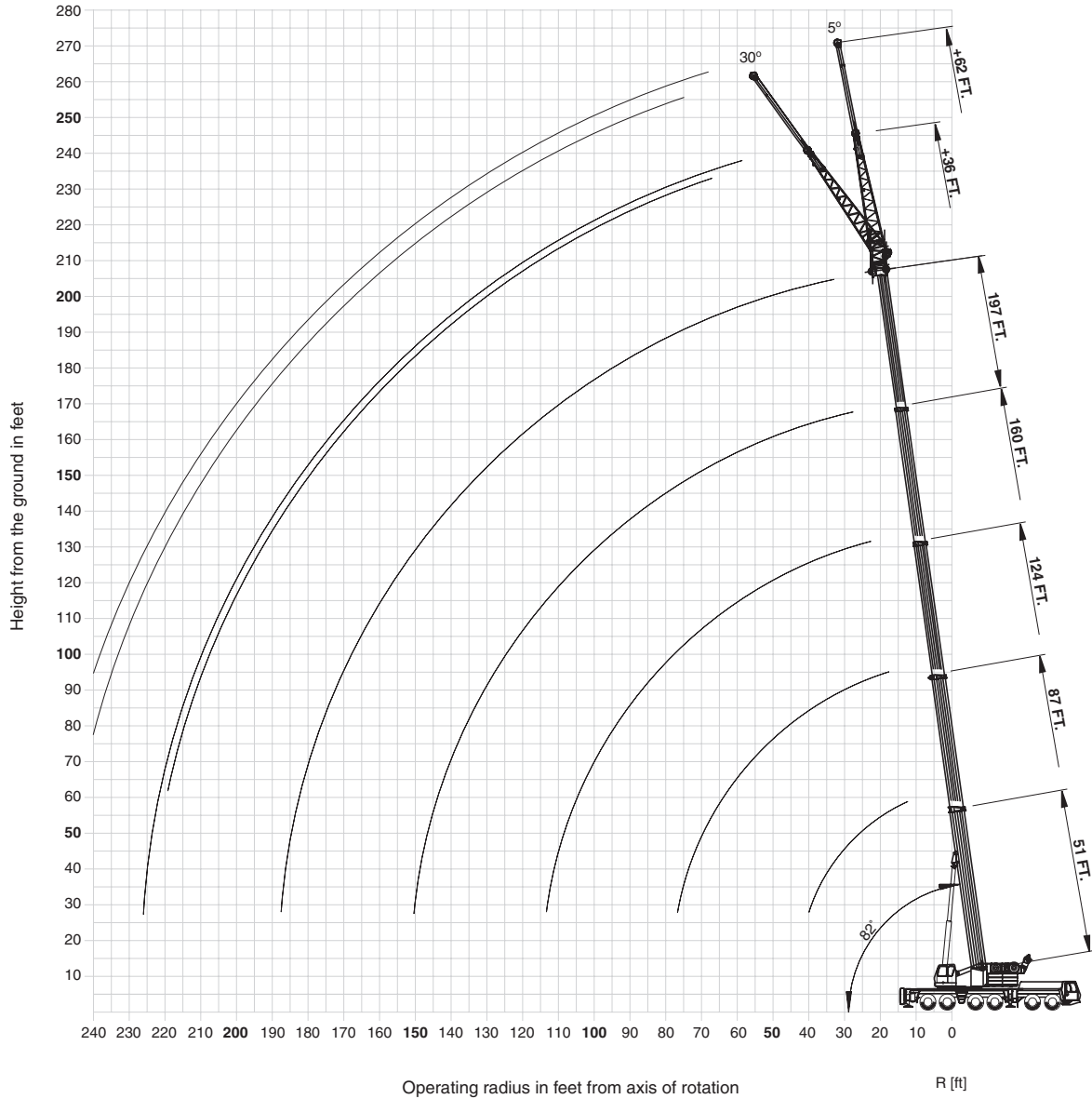
GMK6350

**GROVE**

# working range

## 51'-197' main boom

8





**GMK6350**

THIS CHART IS ONLY A GUIDE AND SHOULD NOT BE USED TO OPERATE THE CRANE.  
The individual crane's load chart, operating instructions and other instructional plates must be read and understood prior to operating the crane.

**GROVE**


# load charts

9


**51-197 ft.**  
 (15.5-60.0 m)
 
**220,400 lb.**  
 (100 Tonnes)
 
**100%**  
**27' 11" Spread**

**360°**

Feet	51*	51	69	87	106	124	142	160	178	197
8	700.0†									
10	542.0	466.0	422.0	342.0						
15	412.0	370.0	366.0	342.0	242.0					
20	332.0	302.0	302.0	300.0	242.0	185.0	139.0			
25	266.0	254.0	258.0	254.0	242.0	185.0	139.0	106.0		
30	219.0	218.0	222.0	222.0	220.0	185.0	139.0	106.0	78.0	66.0
35	185.0	185.0	188.0	188.0	187.0	174.0	137.0	106.0	78.0	66.0
40			162.0	163.0	161.0	161.0	126.0	106.0	78.0	66.0
45			142.0	143.0	141.0	144.0	116.0	102.0	78.0	66.0
50			126.0	126.0	128.0	128.0	106.0	95.0	78.0	66.0
55			113.0	113.0	116.0	114.0	98.0	88.0	78.0	66.0
60			102.0	105.0	103.0	103.0	91.0	82.0	75.0	66.0
65				92.0	95.0	93.0	84.0	76.0	70.0	65.0
70				85.0	86.0	85.0	78.0	71.0	66.0	62.0
75					79.0	77.0	73.0	66.0	62.0	59.0
80					72.0	70.0	67.0	62.0	58.0	56.0
85					67.0	65.0	64.0	58.0	54.0	52.0
90					62.0	60.0	61.0	54.0	50.0	49.0
95						55.0	57.0	50.0	47.0	46.0
100						51.0	53.0	48.0	45.0	43.4
105						47.0	50.0	45.0	42.4	41.0
110						45.0	46.0	42.4	40.2	39.0
115							43.2	40.4	38.2	37.0
120							40.6	38.6	36.2	35.2
125								37.0	34.4	33.6
130								34.6	32.6	32.0
135								33.4	31.2	30.0
140								32.4	30.0	27.8
145									28.8	26.0
150									27.2	24.8
155									25.6	23.8
160									24.4	22.6
165										21.8
170										20.6
175										19.2
180										17.2

\* Over rear only, 28'6" x 19'8" outrigger base.      Lifting capacities greater than 425,000 lbs require additional equipment.      † 700,00 lbs is a comparative rating


**51-197 ft.**  
 (15.5-60.0 m)
 
**110,200 lb.**  
 (50 Tonnes)
 
**100%**  
**27' 11" Spread**

**360°**

Feet	51	69	87	106	124	142	160	178	197
10	446.0	422.0	342.0						
15	352.0	352.0	342.0	242.0					
20	278.0	282.0	282.0	242.0	185.0	139.0			
25	222.0	224.0	224.0	224.0	185.0	139.0	106.0		
30	180.0	183.0	183.0	182.0	182.0	139.0	106.0	78.0	66.0
35	147.0	150.0	151.0	155.0	150.0	137.0	106.0	78.0	66.0
40		129.0	131.0	130.0	126.0	118.0	106.0	78.0	66.0
45		111.0	113.0	112.0	108.0	102.0	97.0	78.0	66.0
50		95.0	97.0	97.0	94.0	94.0	87.0	78.0	66.0
55		81.0	83.0	83.0	82.0	83.0	79.0	73.0	66.0
60			73.0	72.0	75.0	73.0	70.0	68.0	66.0
65			64.0	63.0	66.0	64.0	64.0	63.0	59.0
70			57.0	59.0	59.0	57.0	58.0	56.0	53.0
75				54.0	53.0	52.0	52.0	51.0	48.0
80				48.0	48.0	48.0	47.0	46.0	43.0
85				43.8	42.8	43.6	42.6	41.2	39.0
90				39.6	38.8	39.6	38.4	37.0	35.4
95					36.2	36.0	34.8	33.4	31.8
100					33.0	32.8	31.6	30.2	28.6
105					30.0	29.8	28.8	27.4	25.6
110					27.6	27.4	26.2	24.8	23.2
115						25.0	23.8	22.6	20.8
120						23.0	21.8	20.4	18.8
125							19.8	18.6	16.8
130							18.2	16.8	15.0
135							16.6	15.2	13.4
140							15.0	13.8	12.0
145								12.4	10.6
150								11.2	9.4
155								10.0	8.2
160								9.0	7.0
165									6.0
170									5.0
175									4.2

Lifting capacities greater than 425,000 lbs require additional equipment.      Note: Above chart is available with reduced outriggers



THIS CHART IS ONLY A GUIDE AND SHOULD NOT BE USED TO OPERATE THE CRANE.  
 The individual crane's load chart, operating instructions and other instructional plates must be read and understood prior to operating the crane.

**GMK6350**

# load charts



10


 179-197 ft.  
(54.4-60.0 m)
 
 36-62 ft.  
(11-19 m)
 
 220,400 lb.  
(100 Tonnes)
 
 100%  
27' 11" Spread
 
 360°

 **Pounds (thousands)** 

Feet	179 FT MAIN BOOM				197 FT MAIN BOOM			
	36 FT		62 FT		36 FT		62 FT	
	5°	30°	5°	30°	5°	30°	5°	30°
40	45.0		19.0		38.8		18.4	
45	43.6		18.4		38.8		18.2	
50	42.8	32.6	17.6		38.8	30.8	17.6	
55	42.0	31.8	17.0		38.4	30.4	17.0	
60	41.2	31.0	16.2		37.8	30.2	16.2	
65	40.4	30.4	15.6		37.4	29.8	15.8	
70	39.6	29.8	15.0	10.0	36.8	29.6	15.2	
75	39.0	29.2	14.4	9.8	36.4	29.2	14.6	9.8
80	38.2	28.6	14.0	9.6	35.8	28.6	14.2	9.6
85	37.6	28.0	13.6	9.4	35.4	28.2	13.8	9.4
90	36.8	27.6	13.0	9.2	34.4	27.6	13.2	9.4
95	36.0	26.8	12.6	9.2	34.0	27.0	13.0	9.2
100	35.2	25.8	12.2	9.0	34.0	26.0	12.6	9.0
105	34.4	24.8	11.8	8.8	33.6	25.0	12.2	8.8
110	33.4	24.6	11.6	8.6	33.0	24.6	11.8	8.8
115	32.6	24.2	11.2	8.6	32.6	24.4	11.6	8.6
120	31.6	23.8	11.0	8.4	32.0	24.0	11.2	8.6
125	30.8	23.6	10.6	8.4	31.0	23.8	11.0	8.4
130	30.0	23.4	10.4	8.2	30.2	23.6	10.6	8.4
135	28.6	23.2	10.2	8.2	28.6	23.4	10.4	8.2
140	27.2	23.0	10.0	8.0	26.8	23.0	10.2	8.2
145	25.8	22.8	9.6	8.0	25.2	22.8	10.0	8.0
150	24.6	22.6	9.4	7.8	24.2	22.8	9.8	8.0
155	23.6	22.4	9.2	7.8	23.0	22.6	9.6	7.8
160	22.4	22.2	9.0	7.8	22.2	22.2	9.4	7.8
165	21.0	21.6	8.8	7.6	21.2	21.6	9.2	7.8
170	20.2	20.4	8.8	7.6	20.2	20.8	9.0	7.6
175	19.4	19.8	8.6	7.6	19.0	20.0	8.8	7.6
180	18.8		8.4	7.6	17.8	18.6	8.6	7.6
185	18.2		8.2	7.4	16.6	17.2	8.6	7.6
190	17.4		8.2	7.4	15.4	16.0	8.4	7.6
195			8.0	7.4	14.2		8.2	7.4
200			7.8	7.4	13.2		8.2	7.4
205			7.8		12.4		8.0	7.4
210			7.6				8.0	7.4
215			7.6				7.8	7.4
220			7.6				7.8	7.4
225			7.4				7.6	
230							7.6	
235							7.4	
240							7.4	


 179-197 ft.  
(54.4-60.0 m)
 
 36-62 ft.  
(11-19 m)
 
 110,200 lb.  
(50 Tonnes)
 
 100%  
27' 11" Spread
 
 360°

 **Pounds (thousands)** 

Feet	179 FT MAIN BOOM				197 FT MAIN BOOM			
	36 FT		62 FT		36 FT		62 FT	
	5°	30°	5°	30°	5°	30°	5°	30°
40	45.0		19.0		38.8		18.4	
45	43.6		18.4		38.8		18.2	
50	42.8	32.6	17.6		38.8	30.8	17.6	
55	42.0	31.8	17.0		38.4	30.4	17.0	
60	41.2	31.0	16.2		37.8	30.2	16.2	
65	40.4	30.4	15.6		37.4	29.8	15.8	
70	39.6	29.8	15.0	10.0	36.8	29.6	15.2	
75	39.0	29.2	14.4	9.8	36.4	29.2	14.6	9.8
80	38.2	28.6	14.0	9.6	35.8	28.6	14.2	9.6
85	36.8	28.0	13.6	9.4	35.4	28.2	13.8	9.4
90	36.0	27.6	13.0	9.2	33.6	27.6	13.2	9.4
95	33.8	26.8	12.6	9.2	30.6	27.0	13.0	9.2
100	30.8	25.8	12.2	9.0	27.8	26.0	12.6	9.0
105	27.8	24.8	11.8	8.8	25.2	25.0	12.2	8.8
110	25.2	24.6	11.6	8.6	23.0	24.6	11.8	8.8
115	23.0	24.0	11.2	8.6	20.8	23.2	11.6	8.6
120	20.8	22.6	11.0	8.4	18.8	21.0	11.2	8.6
125	18.8	20.6	10.6	8.4	16.8	18.8	11.0	8.4
130	17.0	18.6	10.4	8.2	15.0	17.0	10.6	8.4
135	15.4	17.0	10.2	8.2	13.4	15.2	10.4	8.2
140	14.0	15.4	10.0	8.0	12.0	13.6	10.2	8.2
145	12.6	13.8	9.6	8.0	10.6	12.2	10.0	8.0
150	11.2	12.4	9.4	7.8	9.2	10.8	9.8	8.0
155	10.0	11.2	9.2	7.8	8.0	9.4	9.6	7.8
160	9.0	10.0	9.0	7.8	7.0	8.2	9.4	7.8
165	8.0	8.8	8.8	7.6	6.0	7.0	9.2	7.8
170	7.0	7.8	8.6	7.6	5.0	6.0	8.2	7.6
175	6.0	6.8	8.6	7.6	4.0	5.0	7.2	7.6
180	5.2		8.2	7.6	3.2	4.0	6.4	7.6
185	4.4		7.4	7.4		3.2	5.6	7.2
190	3.6		6.6	7.4			4.8	6.4
195			5.8	7.0			4.0	5.6
200			5.2	6.2			3.4	4.6
205			4.4				2.6	3.8
210			3.8					3.2
215			3.2					
220			2.6					

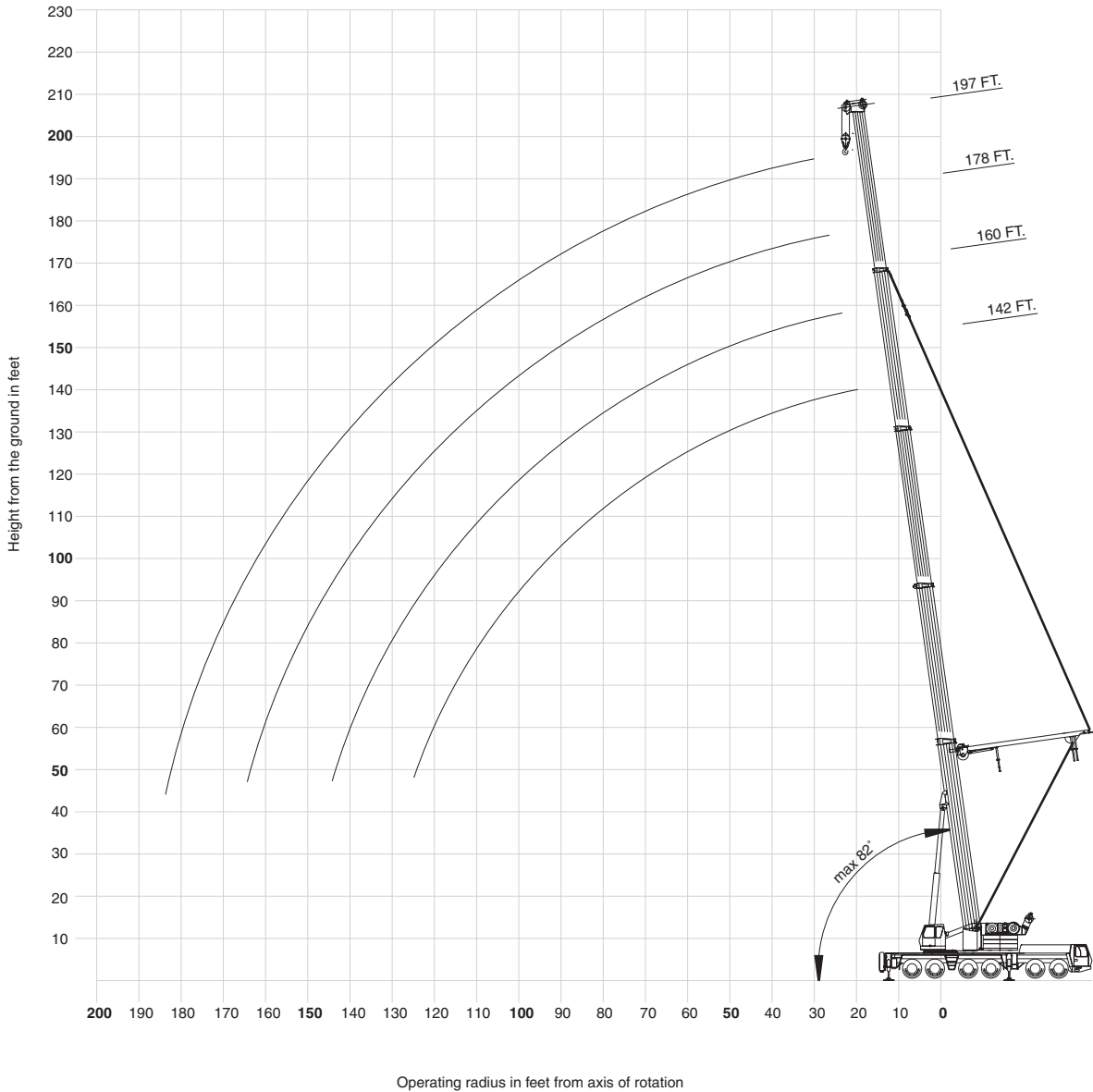
THIS CHART IS ONLY A GUIDE AND SHOULD NOT BE USED TO OPERATE THE CRANE.  
The individual crane's load chart, operating instructions and other instructional plates must be read and understood prior to operating the crane.

GMK6350

# working range – MEGALIFT

## 142'-197' MEGAWING lift

11



THIS CHART IS ONLY A GUIDE AND SHOULD NOT BE USED TO OPERATE THE CRANE.  
The individual crane's load chart, operating instructions and other instructional plates must be read and understood prior to operating the crane.

GMK6350

GROVE

# load charts

12

 51-197 ft. (15.5-60.0 m)  
 220,400 lbs. (100 Tonnes)  
 100% 27' 11" Spread  
 360°

Feet	Pounds (thousands)			
	142	160	178	197
20	139.0			
25	139.0			
30	139.0	106.0		
35	139.0	106.0	78.0	66.0
40	139.0	106.0	78.0	66.0
45	139.0	106.0	78.0	66.0
50	126.0	106.0	78.0	66.0
55	112.0	106.0	78.0	66.0
60	100.0	101.0	78.0	66.0
65	91.0	91.0	78.0	66.0
70	82.0	83.0	78.0	66.0
75	75.0	77.0	76.0	66.0
80	71.0	71.0	70.0	66.0
85	66.0	66.0	64.0	65.0
90	63.0	62.0	59.0	60.0
95	59.0	58.0	56.0	56.0
100	55.0	54.0	53.0	52.0
105	51.0	50.0	49.0	48.0
110	47.0	47.0	46.0	44.0
115	44.0	43.4	42.6	41.2
120	41.4	40.6	39.8	38.4
125		38.0	37.0	35.8
130		35.6	34.6	33.4
135		33.4	32.4	31.0
140		31.2	30.4	29.0
145			28.4	27.0
150			26.6	25.2
155			25.0	23.6
160			23.4	22.0
165				20.6
170				19.2
175				17.8
180				14.4

 51-197 ft. (15.5-60.0 m)  
 110,200 lbs. (50 Tonnes)  
 100% 27' 11" Spread  
 360°

Feet	Pounds (thousands)			
	142	160	178	197
20	139.0			
25	139.0	106.0		
30	139.0	106.0	78.0	66.0
35	139.0	106.0	78.0	66.0
40	122.0	106.0	78.0	66.0
45	105.0	101.0	78.0	66.0
50	96.0	95.0	78.0	66.0
55	89.0	85.0	76.0	66.0
60	78.0	75.0	72.0	66.0
65	69.0	67.0	64.0	60.0
70	61.0	60.0	57.0	54.0
75	54.0	54.0	52.0	48.0
80	49.0	48.0	47.0	43.6
85	43.6	42.8	41.8	39.4
90	39.4	38.6	37.4	35.6
95	35.4	34.6	33.6	32.0
100	32.0	31.2	30.2	28.6
105	29.0	28.2	27.2	25.6
110	26.2	25.4	24.4	23.0
115	23.8	23.0	22.0	20.4
120	21.6	20.8	19.8	18.2
125		18.8	17.8	16.2
130		16.8	15.8	14.4
135		15.2	14.2	12.6
140		13.6	12.6	11.0
145			11.2	9.6
150			9.8	8.2
155			8.6	7.0
160			7.4	5.8
165				4.8
170				3.8

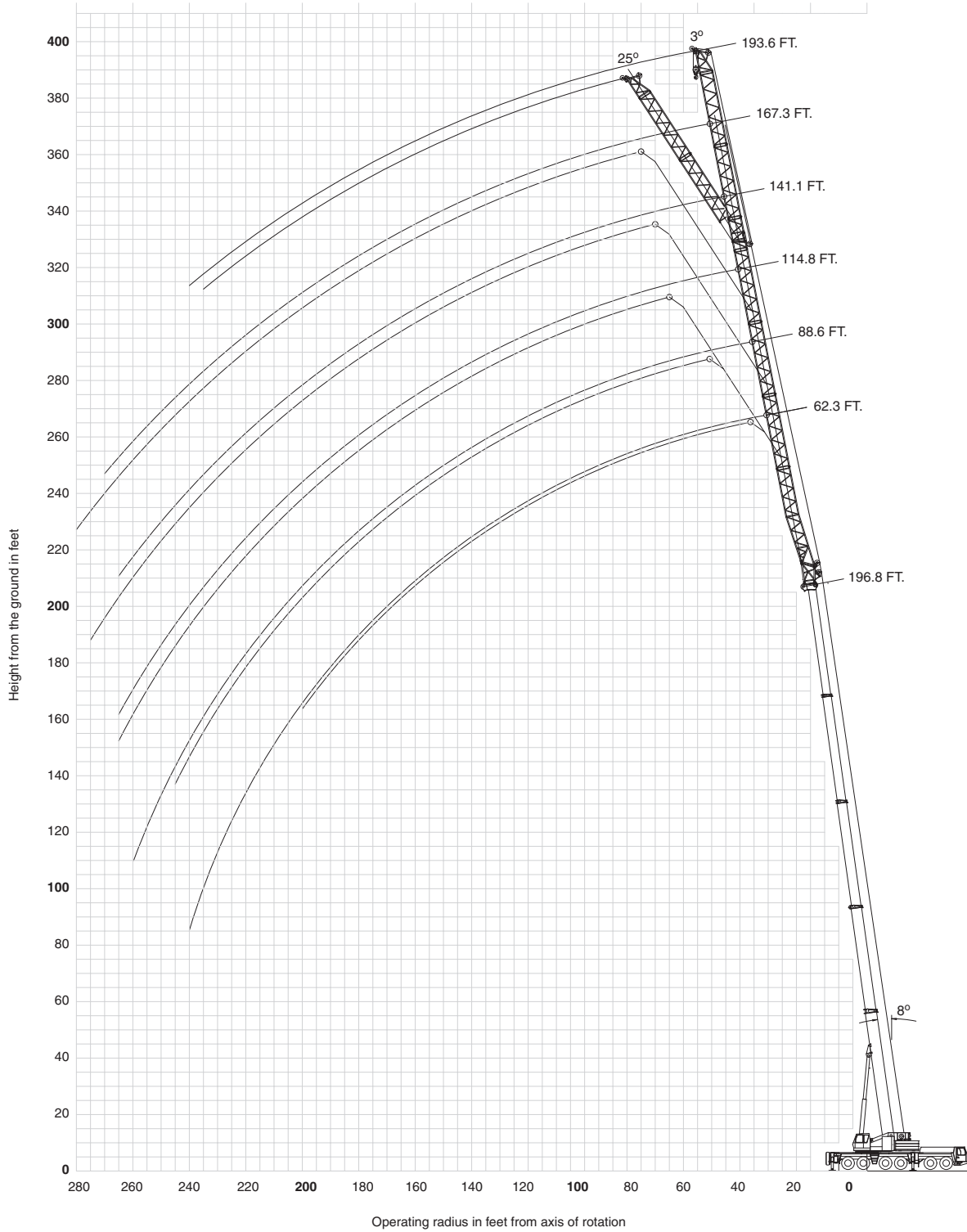
THIS CHART IS ONLY A GUIDE AND SHOULD NOT BE USED TO OPERATE THE CRANE.  
 The individual crane's load chart, operating instructions and other instructional plates must be read and understood prior to operating the crane.

GMK6350

# working range

## 51'-197' main boom

13



THIS CHART IS ONLY A GUIDE AND SHOULD NOT BE USED TO OPERATE THE CRANE.  
The individual crane's load chart, operating instructions and other instructional plates must be read and understood prior to operating the crane.

**GMK6350**

**GROVE**



# load charts

14



Feet	Pounds (thousands)										
	62 FT		89 FT		115 FT		141 FT		167 FT		194 FT
	3°	25°	3°	25°	3°	25°	3°	25°	3°	25°	3°
35											
40											
45											
50	29.2										
55	29.2	28.6	21.2								
60	29.2	28.6	21.2		16.4						
65	29.2	28.6	21.2		16.4						
70	29.2	28.6	21.2		16.4		11.6				
75	29.2	28.6	21.2	20.6	16.4		11.6		9.2		
80	29.2	28.6	21.2	20.6	16.4		11.6		9.2		4.8
85	29.2	28.6	21.2	20.6	16.4		11.6		9.2		4.8
90	29.2	28.6	21.2	20.6	16.4		11.6		9.2		4.8
95	28.6	27.8	21.2	20.6	16.4	16.2	11.6		9.2		4.8
100	27.6	26.8	21.2	20.2	16.4	16.2	11.6		9.2		4.8
105	26.4	25.4	20.8	19.6	16.4	16.2	11.6	12.2	9.2		4.8
110	25.4	23.8	20.2	19.0	16.4	15.6	11.6	12.2	9.2		4.8
115	24.2	22.8	19.6	18.4	16.2	15.2	11.6	12.2	9.2	9.4	4.8
120	23.0	22.0	19.0	17.8	15.6	14.6	11.6	12.2	9.2	9.4	4.8
125	21.8	21.2	18.2	17.4	15.2	14.2	11.6	12.0	9.2	9.4	4.8
130	20.6	20.4	17.6	16.8	14.6	13.8	11.6	11.6	9.2	9.2	4.8
135	19.8	19.8	17.0	16.4	14.2	13.2	11.6	11.2	9.0	9.0	4.8
140	19.2	19.2	16.4	15.8	13.8	12.8	11.2	10.8	8.8	8.8	4.8
145	18.6	18.6	16.0	15.4	13.2	12.6	11.0	10.6	8.6	8.6	4.8
150	18.0	17.8	15.4	15.0	12.8	12.2	10.6	10.2	8.4	8.2	4.8
155	17.2	17.2	14.8	14.6	12.4	11.8	10.2	9.8	8.0	8.0	4.8
160	16.6	16.6	14.2	14.2	12.0	11.4	9.8	9.6	7.8	7.8	4.8
165	16.0	16.0	13.8	13.6	11.6	11.0	9.4	9.2	7.6	7.6	4.8
170	15.2	15.2	13.4	13.2	11.2	10.8	9.0	8.8	7.2	7.4	4.8
175	14.6	14.6	12.8	12.8	10.8	10.4	8.8	8.6	7.0	7.0	4.6
180	13.8	14.0	12.4	12.4	10.4	10.2	8.4	8.4	6.8	6.8	4.4
185	13.2	13.4	12.0	12.0	10.2	9.8	8.2	8.0	6.4	6.6	4.2
190	12.6	12.6	11.6	11.6	9.8	9.6	7.8	7.8	6.2	6.2	4.2
195	11.8	12.0	11.0	11.2	9.4	9.2	7.6	7.4	5.8	6.0	4.0
200	10.8	11.2	10.6	10.8	9.2	9.0	7.2	7.2	5.6	5.8	3.8
205	9.8	10.2	10.2	10.4	8.8	8.8	7.0	7.0	5.4	5.6	3.6
210	9.0	9.2	9.6	10.0	8.4	8.4	6.8	6.8	5.2	5.4	3.4
215	8.0	8.2	9.2	9.4	8.2	8.2	6.6	6.6	5.0	5.2	3.2
220	7.2	7.4	8.4	9.0	7.8	8.0	6.4	6.4	4.8	4.8	3.0
225	6.4		7.6	8.4	7.6	7.6	6.0	6.2	4.6	4.6	2.8
230	5.6		6.8	7.4	7.2	7.4	5.8	5.8	4.4	4.4	2.6
235	4.8		6.0	6.6	6.6	7.0	5.6	5.6	4.2	4.2	
240	3.8		5.2	5.8	6.0	6.8	5.4	5.4	4.0	4.2	
245			4.6	5.0	5.2	6.4	5.2	5.2	3.8	4.0	
250			4.0		4.6	5.6	4.8	5.0	3.6	3.8	
255			3.2		4.0	5.0	4.2	4.8	3.4	3.6	
260			2.6		3.4	4.2	3.6	4.6	3.2	3.4	
265					2.8	3.6	3.0	4.2	3.0	3.2	
270								3.6	2.6	3.0	
275								2.8		2.8	
280										2.6	



Feet	Pounds (thousands)										
	62 FT		89 FT		115 FT		141 FT		167 FT		194 FT
	3°	25°	3°	25°	3°	25°	3°	25°	3°	25°	3°
35											
40											
45											
50	29.2										
55	29.2	28.6	21.2								
60	29.2	28.6	21.2		16.4						
65	29.2	28.6	21.2		16.4						
70	29.2	28.6	21.2		16.4		11.6				
75	29.2	28.6	21.2	20.6	16.4		11.6		9.2		
80	29.2	28.6	21.2	20.6	16.4		11.6		9.2		4.8
85	29.2	28.6	21.2	20.6	16.4		11.6		9.2		4.8
90	29.2	28.6	21.2	20.6	16.4		11.6		9.2		4.8
95	27.8	27.8	21.2	20.6	16.4	16.2	11.6		9.2		4.8
100	25.0	26.4	21.2	20.2	16.4	16.2	11.6		9.2		4.8
105	22.6	23.8	20.8	19.6	16.4	16.2	11.6	12.2	9.2		4.8
110	20.2	21.4	20.2	19.0	16.4	15.6	11.6	12.2	9.2		4.8
115	18.0	19.2	19.0	18.4	16.2	15.2	11.6	12.2	9.2	9.4	4.8
120	16.0	17.2	17.2	17.8	15.6	14.6	11.6	12.2	9.2	9.4	4.8
125	14.2	15.4	15.4	17.4	15.2	14.2	11.6	12.0	9.2	9.4	4.8
130	12.6	13.6	13.8	16.4	14.0	13.8	11.6	11.6	9.2	9.2	4.8
135	11.0	12.0	12.2	14.6	12.4	13.2	11.6	11.2	9.0	9.0	4.8
140	9.6	10.4	10.8	13.0	11.0	12.8	11.0	10.8	8.8	8.8	4.8
145	8.2	9.0	9.4	11.6	9.8	12.6	9.8	10.6	8.6	8.6	4.8
150	7.0	7.8	8.2	10.2	8.4	12.0	8.4	10.2	8.4	8.2	4.8
155	5.8	6.4	7.0	9.0	7.4	10.6	7.4	9.8	7.2	8.0	4.8
160	4.6	5.2	5.8	7.6	6.2	9.4	6.2	9.4	6.0	7.8	4.8
165	3.6	4.2	4.8	6.6	5.2	8.2	5.2	8.2	5.0	7.6	4.4
170		3.2	3.8	5.4	4.2	7.0	4.2	7.2	4.2	7.0	3.6
175			2.8	4.4	3.2	6.0	3.4	6.2	3.2	6.0	2.6
180				3.4		5.0		5.2		5.0	
185						4.0		4.2		4.2	
190						3.0		3.2		3.2	

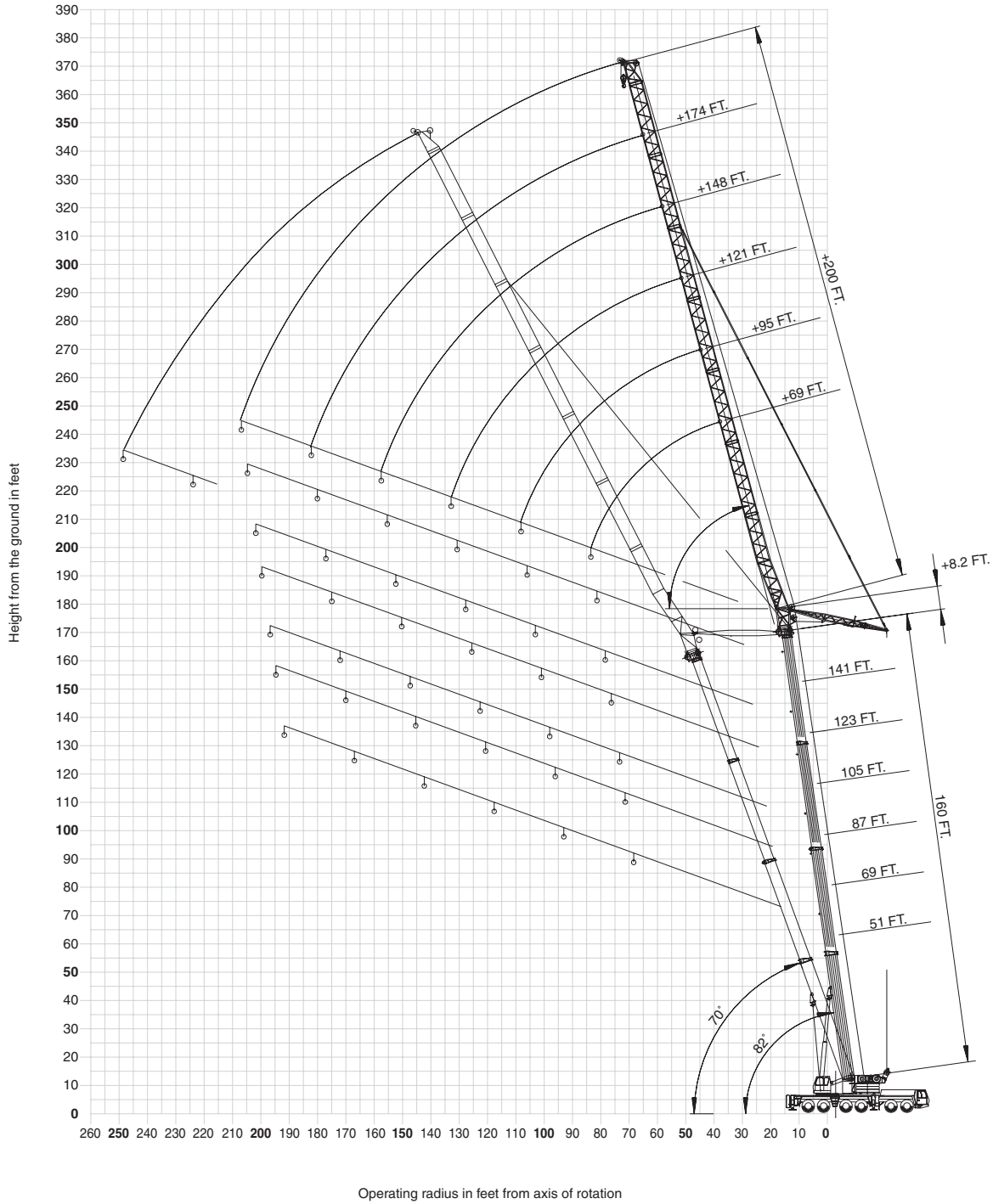
THIS CHART IS ONLY A GUIDE AND SHOULD NOT BE USED TO OPERATE THE CRANE.  
The individual crane's load chart, operating instructions and other instructional plates must be read and understood prior to operating the crane.

GMK6350

# working range

## 51'-160' main boom

15



THIS CHART IS ONLY A GUIDE AND SHOULD NOT BE USED TO OPERATE THE CRANE.  
The individual crane's load chart, operating instructions and other instructional plates must be read and understood prior to operating the crane.

GMK6350

GROVE

# load charts

16

		70° MAIN BOOM ANGLE							
		Pounds (thousands)							
Feet	51	69	87	105	123	141	160	178	
55	115.0								
60	103.0								
65	89.0								
70	76.0	85.0							
75	65.0	79.0	75.0						
80		73.0	70.0						
85		61.0	66.0						
90			62.0	59.0					
95				55.0	51.0				
100					50.0	41.2			
105						41.2	33.0		
110						39.8	33.0		
115							32.4	27.4	
120								27.0	

		70° MAIN BOOM ANGLE							
		Pounds (thousands)							
Feet	51	69	87	105	123	141	160	178	
70	84.0								
75	76.0								
80	68.0	73.0							
85	62.0	69.0							
90	55.0	65.0	61.0						
95	49.0	60.0	57.0						
100	43.4	54.0	54.0	51.0					
105		48.0	51.0	48.0	45.0				
110		42.0	48.0	46.0	43.6				
115			46.0	43.6	41.4	35.2			
120				41.4	39.4	34.8	28.0		
125					37.6	33.6	28.0		
130					35.8	32.6	27.0		
135						31.6	26.2	22.0	
140							25.6	22.0	
145								21.4	
150								20.6	

		70° MAIN BOOM ANGLE							
		Pounds (thousands)							
Feet	51	69	87	105	123	141	160	178	
80	61.0								
85	59.0								
90	58.0								
95	54.0	55.0							
100	50.0	54.0	49.0						
105	46.0	53.0	49.0	42.8					
110	42.2	49.0	47.0	42.8					
115	38.2	46.0	45.0	42.8	36.2				
120	34.6	41.6	42.8	40.6	36.2	28.2			
125	31.0	38.0	40.8	38.8	36.2	28.2			
130	27.4	34.2	39.0	37.0	34.8	28.2			
135		30.2	37.2	35.4	33.2	28.2	21.6		
140			33.6	33.8	31.8	28.0	21.6		
145				32.4	30.4	27.4	21.6	16.0	
150				31.0	29.2	26.8	21.6	16.0	
155					28.0	26.2	21.4	16.0	
160						25.2	21.0	16.0	
165							20.4	15.8	
170							19.8	15.6	
175								15.4	

THIS CHART IS ONLY A GUIDE AND SHOULD NOT BE USED TO OPERATE THE CRANE.  
The individual crane's load chart, operating instructions and other instructional plates must be read and understood prior to operating the crane.

GMK6350

# load charts

17







51-178 ft. (15.5-54.3 m)    148 ft. (45 m)    220,400 lbs. (100 Tonnes)    100%    360°  
 27' 11" Spread

Feet	70° MAIN BOOM ANGLE							
	51	69	87	105	123	141	160	178
95	42.6							
100	42.4							
105	41.8	38.8						
110	41.2	38.6						
115	39.6	38.4	34.8					
120	37.4	38.0	34.8	30.6				
125	35.4	37.6	34.6	30.6	26.4			
130	32.8	36.2	34.4	30.6	26.4			
135	30.4	34.6	34.4	30.4	26.4			
140	27.8	32.6	33.8	30.4	26.4	20.8		
145	25.4	30.4	33.0	30.4	26.4	20.8	15.2	
150	23.2	27.8	32.0	30.2	26.4	20.8	15.2	
155	20.8	25.4	30.0	28.8	26.2	20.6	15.2	
160		23.0	27.4	27.8	25.8	20.6	15.2	10.8
165			25.0	26.6	24.8	20.6	15.2	10.8
170			22.8	25.6	23.8	20.6	15.2	10.8
175				24.6	23.0	20.6	15.2	10.8
180					22.0	20.2	15.2	10.8
185						19.4	15.2	10.8
190							15.2	10.8
195							15.2	10.8
200								10.8







51-178 ft. (15.5-54.3 m)    174 ft. (53 m)    220,400 lbs. (100 Tonnes)    100%    360°  
 27' 11" Spread

Feet	70° MAIN BOOM ANGLE							
	51	69	87	105	123	141	160	178
105	29.4							
110	28.6							
115	28.0							
120	27.4	26.6						
125	26.8	25.8	24.6					
130	26.2	24.8	24.2					
135	25.2	24.2	23.6	21.6				
140	24.4	23.8	23.2	21.6	18.8			
145	23.6	23.4	22.8	21.4	18.8			
150	23.0	22.8	22.4	21.2	18.8			
155	22.4	22.4	22.0	20.8	18.6	14.6		
160	21.6	21.8	21.4	20.6	18.6	14.6	10.4	
165	20.0	21.4	21.2	20.2	18.4	14.6	10.4	
170	18.4	21.0	20.8	19.8	18.4	14.6	10.4	
175	17.0	19.8	20.4	19.6	18.2	14.6	10.4	6.6
180	15.6	18.4	19.8	19.2	17.8	14.6	10.4	6.6
185		16.8	18.8	18.8	17.8	14.6	10.4	6.6
190		15.6	17.8	18.6	17.6	14.6	10.4	6.6
195			17.0	18.4	17.4	14.6	10.4	6.6
200				18.0	17.0	14.6	10.4	6.6
205					16.8	14.4	10.4	6.6
210							10.4	6.6
215							10.4	6.6
220								6.6







51-160 ft. (15.5-48.6 m)    200 ft. (61 m)    220,400 lbs. (100 Tonnes)    100%    360°  
 27' 11" Spread


Feet	70° MAIN BOOM ANGLE						
	51	69	87	105	123	141	160
120	17.2						
125	16.4						
130	15.8						
135	15.4	16.0					
140	14.8	15.4	15.8				
145	14.4	15.0	15.2	14.8			
150	14.0	14.4	14.8	14.8			
155	13.6	14.0	14.2	14.4	12.6		
160	13.0	13.6	14.0	14.0	12.6		
165	12.6	13.2	13.4	13.6	12.6	9.8	
170	12.2	12.6	13.0	13.2	12.6	9.8	
175	11.8	12.2	12.8	12.8	12.4	9.8	6.0
180	11.6	12.0	12.4	12.4	12.2	9.6	6.0
185	11.4	11.6	12.0	12.0	12.0	9.4	6.0
190	11.0	11.2	11.8	11.8	12.0	9.4	6.0
195	10.8	11.0	11.4	11.4	11.6	9.4	6.0
200	10.6	10.6	11.0	11.0	11.2	9.4	6.0
205	10.2	10.4	11.0	11.0	11.0	9.4	6.0
210		10.2	10.6	10.6	10.8	9.4	6.0
215		10.0	10.4	10.4	10.4	9.4	6.0
220			10.2	10.2	10.2	9.4	6.0
225				10.0	10.0	9.4	6.0
230					9.8	9.2	6.0
235					9.6	9.2	6.0
240						9.0	6.0

THIS CHART IS ONLY A GUIDE AND SHOULD NOT BE USED TO OPERATE THE CRANE.  
 The individual crane's load chart, operating instructions and other instructional plates must be read and understood prior to operating the crane.

GMK6350

# load charts

18

 51-178 ft. (15.5-54.3 m)
  69 ft. (21 m)
  220,400 lbs. (100 Tonnes)
  100% 27' 11" Spread
  360°

		Pounds (thousands)						
		82° MAIN BOOM ANGLE						
Feet	51	69	87	105	123	141	160	178
30	121.0							
35	121.0	114.0						
40	119.0	114.0	99.0	84.0				
45	103.0	114.0	99.0	84.0	67.0			
50	88.0	102.0	99.0	84.0	67.0	51.0	37.8	
55	75.0	88.0	96.0	84.0	67.0	51.0	37.8	29.2
60	63.0	74.0	88.0	84.0	67.0	51.0	37.8	29.2
65	52.0	62.0	74.0	84.0	67.0	51.0	37.8	29.2
70		50.0	61.0	74.0	67.0	51.0	37.8	29.2
75					67.0	51.0	37.8	29.2
80						51.0	37.8	29.2
85							37.8	29.2

 51-178 ft. (15.5-54.3 m)
  95 ft. (29 m)
  220,400 lbs. (100 Tonnes)
  100% 27' 11" Spread
  360°

		Pounds (thousands)						
		82° MAIN BOOM ANGLE						
Feet	51	69	87	105	123	141	160	178
40	88.0	79.0						
45	88.0	79.0						
50	88.0	78.0	69.0	60.0				
55	84.0	78.0	69.0	60.0	49.0	37.8		
60	76.0	78.0	69.0	60.0	49.0	37.8	28.6	21.6
65	67.0	75.0	69.0	60.0	49.0	37.8	28.6	21.6
70	60.0	68.0	69.0	60.0	49.0	37.8	28.6	21.6
75	54.0	60.0	65.0	60.0	49.0	37.8	28.6	21.6
80	47.0	53.0	59.0	59.0	49.0	37.8	28.6	21.6
85	41.4	47.0	53.0	59.0	49.0	37.8	28.6	21.6
90	35.4	40.8	47.0	53.0	48.0	37.8	28.6	21.6
95			40.4	47.0	46.0	37.8	28.6	21.6
100					43.6	37.8	28.6	21.6
105							28.6	21.6
110							28.6	21.6

 51-178 ft. (15.5-54.3 m)
  121 ft. (37 m)
  220,400 lbs. (100 Tonnes)
  100% 27' 11" Spread
  360°

		Pounds (thousands)						
		82° MAIN BOOM ANGLE						
Feet	50.7	69	86.5	104.7	122.8	141.2	159.6	178.2
50	62.0	56.0						
55	62.0	56.0	50.0	43.0				
60	61.0	55.0	50.0	43.0	36.0	28.0		
65	61.0	55.0	49.0	43.0	36.0	28.0		
70	59.0	55.0	49.0	43.0	36.0	28.0	21.4	15.8
75	56.0	55.0	49.0	42.8	36.0	28.0	21.4	15.8
80	53.0	54.0	49.0	42.8	36.0	28.0	21.4	15.8
85	48.0	51.0	49.0	42.8	36.0	28.0	21.4	15.8
90	44.0	48.0	49.0	42.6	36.0	28.0	21.4	15.8
95	40.0	45.0	47.0	42.6	36.0	28.0	21.4	15.8
100	36.2	40.6	43.8	42.4	36.0	28.0	21.4	15.8
105	32.4	36.4	40.6	42.4	36.0	28.0	21.4	15.8
110	29.0	32.6	36.6	39.0	36.0	28.0	21.4	15.8
115	25.6	28.8	32.8	35.6	36.0	28.0	21.4	15.8
120			28.6	32.2	35.4	28.0	21.4	15.8
125					32.0	28.0	21.4	15.8
130					28.6	28.0	21.4	15.8
135							21.4	15.8

THIS CHART IS ONLY A GUIDE AND SHOULD NOT BE USED TO OPERATE THE CRANE.  
The individual crane's load chart, operating instructions and other instructional plates must be read and understood prior to operating the crane.

GMK6350

# load charts

19

- 51-178 ft.  
(15.5-54.3 m)
- 148 ft.  
(45 m)
- 220,400 lbs.  
(100 Tonnes)
- 100%  
27' 11" Spread
- 360°

		Pounds (thousands)							
		82° MAIN BOOM ANGLE							
Feet	51	69	87	105	123	141	160	178	
50	43.8								
55	43.8	39.6							
60	43.6	39.6	35.8	31.0					
65	43.4	39.6	35.6	31.0					
70	43.2	39.2	35.6	31.0	26.6				
75	43.0	39.0	35.4	31.0	26.6	21.0	15.8	11.2	
80	42.6	39.0	35.2	30.8	26.6	21.0	15.8	11.2	
85	42.4	38.8	35.0	30.8	26.6	21.0	15.8	11.2	
90	42.0	38.4	35.0	30.6	26.6	21.0	15.8	11.2	
95	40.6	38.4	34.8	30.6	26.4	21.0	15.8	11.2	
100	38.6	37.8	34.6	30.6	26.4	21.0	15.8	11.2	
105	36.4	36.2	34.2	30.4	26.4	21.0	15.8	11.2	
110	33.6	34.8	33.6	30.4	26.4	21.0	15.8	11.2	
115	31.0	33.2	32.8	30.2	26.4	21.0	15.8	11.2	
120	28.4	31.4	32.4	30.0	26.2	21.0	15.8	11.2	
125	25.6	29.0	31.6	29.8	26.2	21.0	15.8	11.2	
130	23.4	26.2	29.2	28.2	26.0	21.0	15.8	11.2	
135	21.2	23.8	26.6	26.6	25.2	21.0	15.8	11.2	
140		21.4	24.2	24.8	24.2	21.0	15.8	11.2	
145			21.8	23.2	23.2	21.0	15.8	11.2	
150			18.8	21.4	22.0	21.0	15.8	11.2	
155					21.0	21.0	15.8	11.2	
160							15.8	11.2	

- 51-178 ft.  
(15.5-54.3 m)
- 174 ft.  
(53 m)
- 220,400 lbs.  
(100 Tonnes)
- 100%  
27' 11" Spread
- 360°

		Pounds (thousands)							
		82° MAIN BOOM ANGLE							
Feet	51	69	87	105	123	141	160	178	
60	31.6								
65	31.4								
70	31.0	28.2	25.8						
75	30.4	28.2	25.6	22.2	19.0				
80	30.2	28.0	25.4	22.0	19.0	14.4	10.6		
85	29.8	27.8	25.4	22.0	19.0	14.4	10.6		
90	29.4	27.4	25.2	21.8	19.0	14.4	10.6	6.8	
95	28.8	27.4	25.0	21.8	19.0	14.4	10.6	6.8	
100	28.4	27.0	24.6	21.8	19.0	14.4	10.6	6.8	
105	27.6	26.6	24.2	21.6	19.0	14.4	10.6	6.8	
110	26.8	26.0	24.0	21.4	18.8	14.4	10.6	6.8	
115	26.0	25.4	23.6	21.2	18.8	14.4	10.6	6.8	
120	25.4	24.4	23.0	21.2	18.8	14.4	10.6	6.8	
125	24.6	23.8	22.6	21.0	18.6	14.4	10.6	6.8	
130	23.8	23.4	22.4	20.8	18.6	14.4	10.6	6.8	
135	22.8	22.8	22.0	20.4	18.4	14.4	10.6	6.8	
140	22.0	22.2	21.4	20.2	18.4	14.4	10.6	6.8	
145	21.0	21.6	21.2	19.8	18.0	14.4	10.6	6.8	
150	19.2	20.4	20.6	19.6	17.8	14.4	10.6	6.8	
155	17.4	18.8	20.2	19.4	17.8	14.4	10.6	6.8	
160	15.6	17.4	19.2	19.0	17.6	14.4	10.6	6.8	
165		16.0	17.8	18.4	17.2	14.4	10.6	6.8	
170		14.2	16.0	17.2	16.6	14.4	10.6	6.8	
175			13.8	15.8	16.0	14.4	10.6	6.8	
180					15.2	14.4	10.6	6.8	
185							10.6	6.8	
190							10.6	6.8	

THIS CHART IS ONLY A GUIDE AND SHOULD NOT BE USED TO OPERATE THE CRANE.  
The individual crane's load chart, operating instructions and other instructional plates must be read and understood prior to operating the crane.

**GMK6350**

# load charts

-   
 51-160 ft.  
(15.5-48.6 m)
-   
 200 ft.  
(61 m)
-   
 220,400 lbs.  
(100 Tonnes)
-   
 100%  
27' 11" Spread
-   
 360°

20

Feet	82° MAIN BOOM ANGLE						
	51	69	87	105	123	141	160
70	21.6	19.8					
75	21.2	19.8	17.8				
80	20.8	19.6	17.6	15.2	12.8		
85	20.4	19.4	17.6	15.2	12.8		
90	19.6	19.4	17.4	15.2	12.8	9.2	6.2
95	19.0	18.8	17.4	15.2	12.8	9.2	6.2
100	18.4	18.0	17.4	15.2	12.8	9.2	6.2
105	17.6	17.6	16.8	15.0	12.8	9.2	6.2
110	17.2	17.0	16.4	14.8	12.8	9.2	6.2
115	16.6	16.4	16.0	14.8	12.8	9.2	6.2
120	15.8	15.8	15.6	14.6	12.6	9.2	6.2
125	15.4	15.2	15.2	14.6	12.6	9.2	6.2
130	14.8	14.8	14.6	14.4	12.6	9.2	6.2
135	14.2	14.2	14.2	14.0	12.6	9.2	6.2
140	13.8	13.8	14.0	13.8	12.4	9.2	6.2
145	13.4	13.4	13.6	13.4	12.2	9.2	6.2
150	13.0	13.0	13.0	12.8	12.2	9.2	6.2
155	12.6	12.6	12.8	12.6	12.0	9.2	6.2
160	12.2	12.2	12.4	12.2	11.8	9.2	6.2
165	11.8	11.8	12.0	11.8	11.6	9.2	6.2
170	11.6	11.6	11.8	11.6	11.2	9.2	6.2
175	11.2	11.2	11.4	11.2	11.2	9.2	6.2
180	10.6	10.8	11.0	11.0	10.8	9.2	6.2
185	10.2	10.4	11.0	10.8	10.4	9.2	6.2
190	10.0	10.2	10.6	10.4	10.4	9.2	6.2
195		9.8	10.2	10.2	10.0	9.2	6.2
200				10.0	10.0	9.2	6.2
205						9.2	6.2
210							6.2
215							6.2

**GMK6350**

THIS CHART IS ONLY A GUIDE AND SHOULD NOT BE USED TO OPERATE THE CRANE.  
 The individual crane's load chart, operating instructions and other instructional plates must be read and understood prior to operating the crane.

**GROVE**